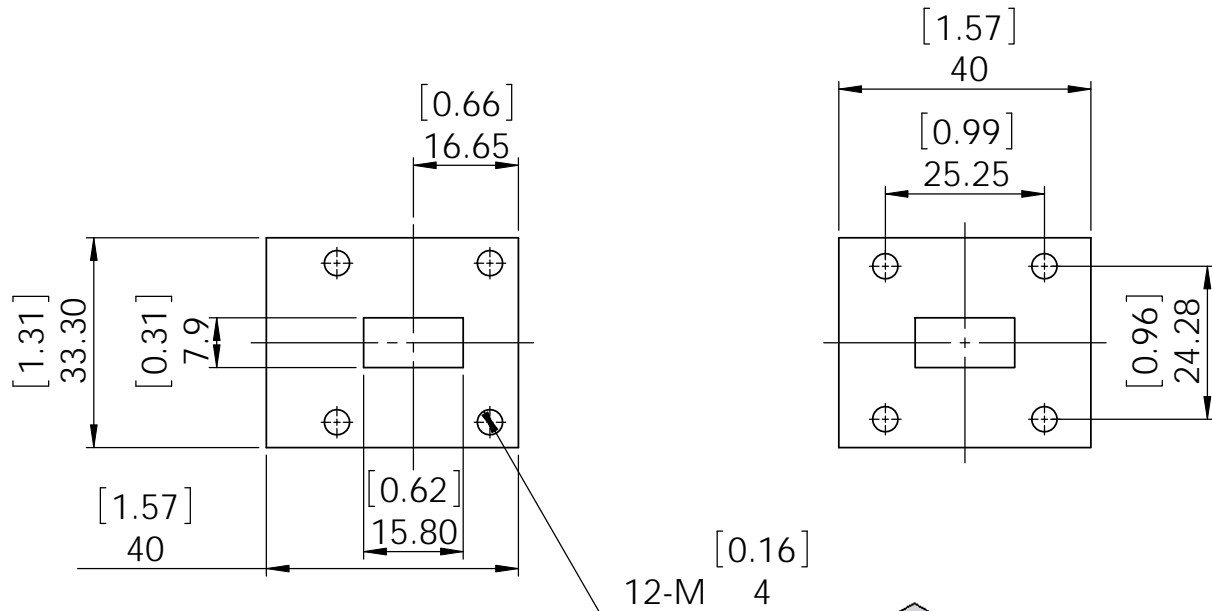


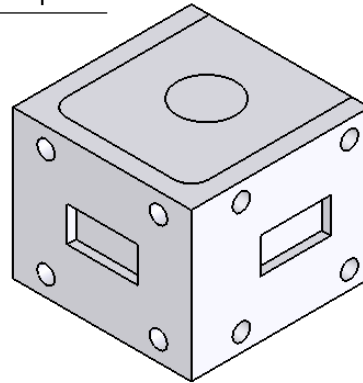
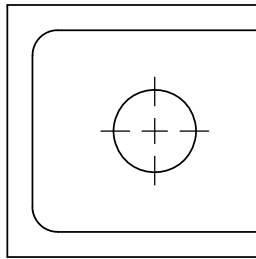
REV.	DESCRIPTION	REVISOR	DATE	APPROVE



### SPECIFICATIONS

P/N: JCWR62-40-14K2T15K6  
 FREQ: 14.2~15.6GHz

ISOLATION: 22dB MIN  
 INS LOSS: 0.30dB MAX  
 VSWR: 1.20:1 MAX  
 PWR: 10W  
 TEMP: -40C~+85C  
 WAVEGUIDE: WR62



This document is the property of JQL Electronic Inc.  
 It cannot be copied, duplicated, used for manufacturing purposes  
 or communicated to third party as a whole or partly,  
 without the written consent of JQL Electronic Inc.

**JQL** JQL Electronic Inc 500 Lake Cook Road, Suite 350 Tel : 1(888)236-9828  
 Deerfield, IL 60015, USA Fax: 1(630)823-2902

MATERIAL:	DWG NO.			
	JCWR62-40-14K2T15K6			
SURFACE TREATMENT:	NAME	DATE	SIGNATURE	REV:
	DWG BY: SY			
	CHK'D BY: GC			0
	APPV'D BY: JZ			
DESCRIPTION:	TOLERANCE		Q.A	A4
WAVEGUIDE CIRCULATOR	Liner: ±0.1mm Angular: ±0.5°			