

# UHF Band Drop in Circulator

## JCD0617T0652SM5

### Description:

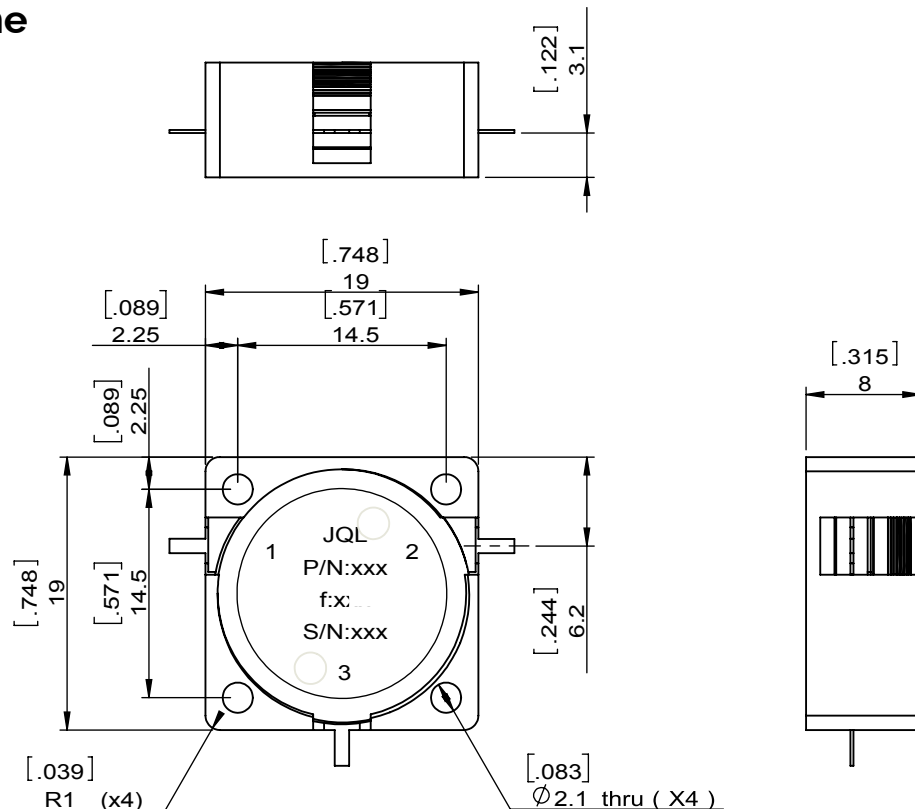


JCD0617T0652SM5 is a drop-in circulator in the frequency 0.617~0.652 GHz. The device is extremely stable over the temperature range of -40°C to +100°C, with maximum insertion loss of 0.30@+25°C || 0.35@-40~+100°C and minimum return loss of 20.0@25°C || 18.0@-40~+100°C. It can handle CW Power FWD/REV/PK(Watt) of 100/50/-

### Electrical Specification

Part Number	JCD0617T0652SM5
Frequency (GHz)	0.617~0.652
Insertion Loss(dB)MAX	0.30@+25°C    0.35@-40~+100°C
Isolation(dB)MIN	20.0@+25°C    18.0@-40~+100°C
Return Loss(dB)MIN	20.0@+25°C    18.0@-40~+100°C
Operating Temperature	-40°C~100°C
Power FWD/REV/PK(Watt)	100/50/-
Tab(W×LG×THK)(mm[Inch])	1.0[.039]×2.5[.098]×0.2[.008]

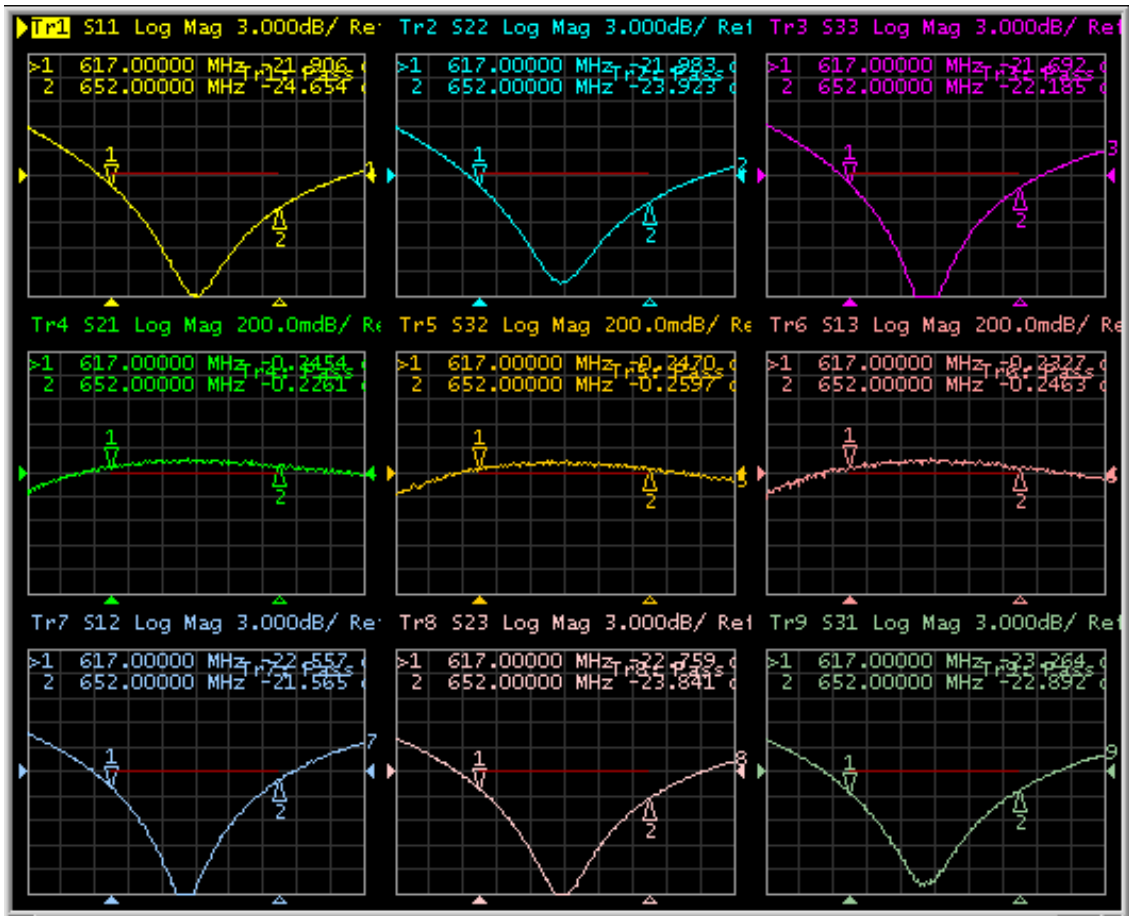
### Outline



# UHF Band Drop in Circulator

JCD0617T0652SM5

## Test Data



## Features

- High power handling capability
- Lower insertion loss
- Smaller foot print
- RoHS & REACH Compliant

## Applications

- Public Safety infrastructure networks
- Power amplifiers