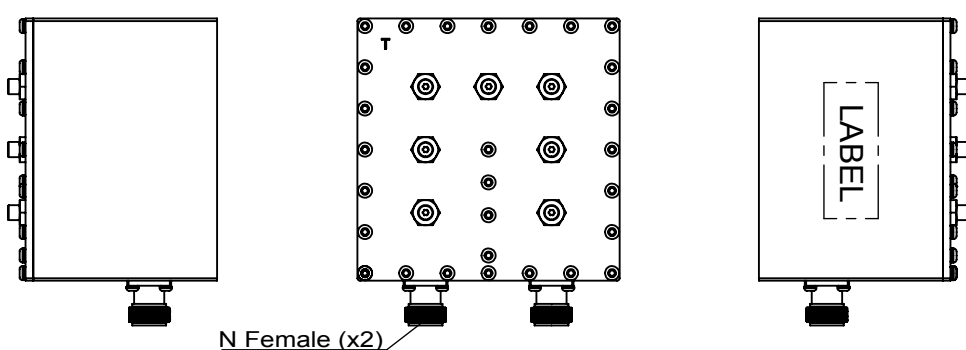
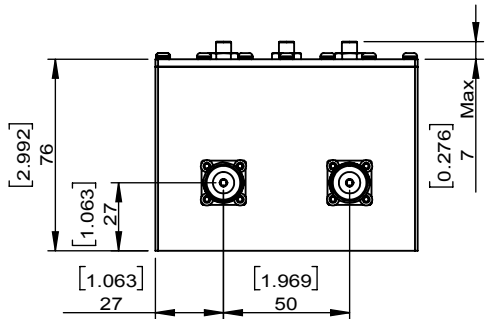
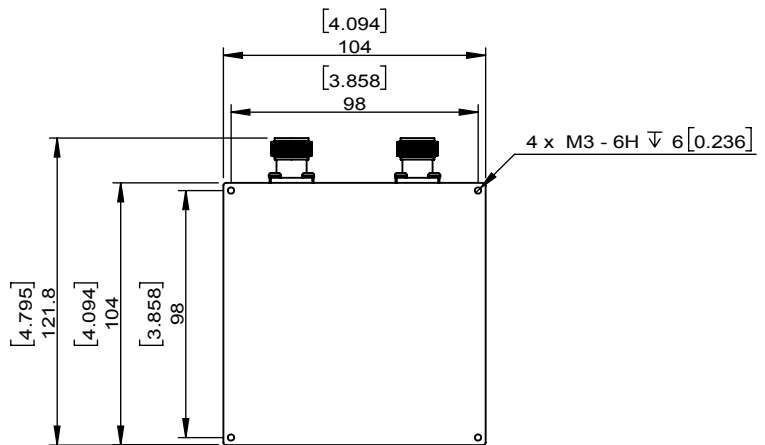


| | | | | | | | | | | | |
|--------------|--|---------------|--|------|--|---|--|-------------|--|------------|--|
| 1 | | 2 | | 3 | | 4 | | 5 | | 6 | |
| Document No. | | QR4-700-T-003 | | REV. | | 0 | | DESCRIPTION | | APPROVED | |
| REV. | | A/0 | | | | | | Y.L.Chen | | 10.17.2022 | |
| | | | | | | | | | | HC.Qiu | |



| ITEM | SPECIFICATIONS |
|---------------------------|--|
| Frequency(MHz) | 375 ~ 379 |
| Insertion Loss(dB) | 0.8 Max |
| Ripple(dB) | 0.5 Max |
| Return Loss(dB) | 14 Min |
| Rejection(dBc) | 50 Min @ DC ~ 365MHz 50 Min @ 389MHz and foward |
| Impedance(Ω) | 50 |
| Power(W) | 50 Min CW |
| Operating Temperature(°C) | -40~+70 |
| Connector | N Female |
| Notes | |

JQL JQL Technologies Corporation

MATERIAL: DWG NO: JFCB0375T0379NF

SURFACE TREATMENT: Painted Black

DESCRIPTION: Filter

| | | | |
|----------------|--|------------|-------|
| DWG BY: | Y.L.Chen | 10.17.2022 | SCALE |
| CHK'D BY: | | | |
| APPV'D BY: | | | 1:3 |
| Unit: mm[inch] | Tolerance: Liner: ±0.25 Anguar: ±0.5° | The First: | A4 |



This document is the property of JQL Electronic Inc. It cannot be copied, duplicated, used for manufacturing purposes or communicated to third party as a whole or partly, without the written consent of JQL Electronic Inc.