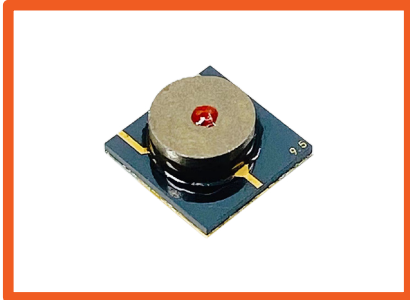


# X Band Microstrip Circulator

## JCSC8500T10K5-7C

### Description:

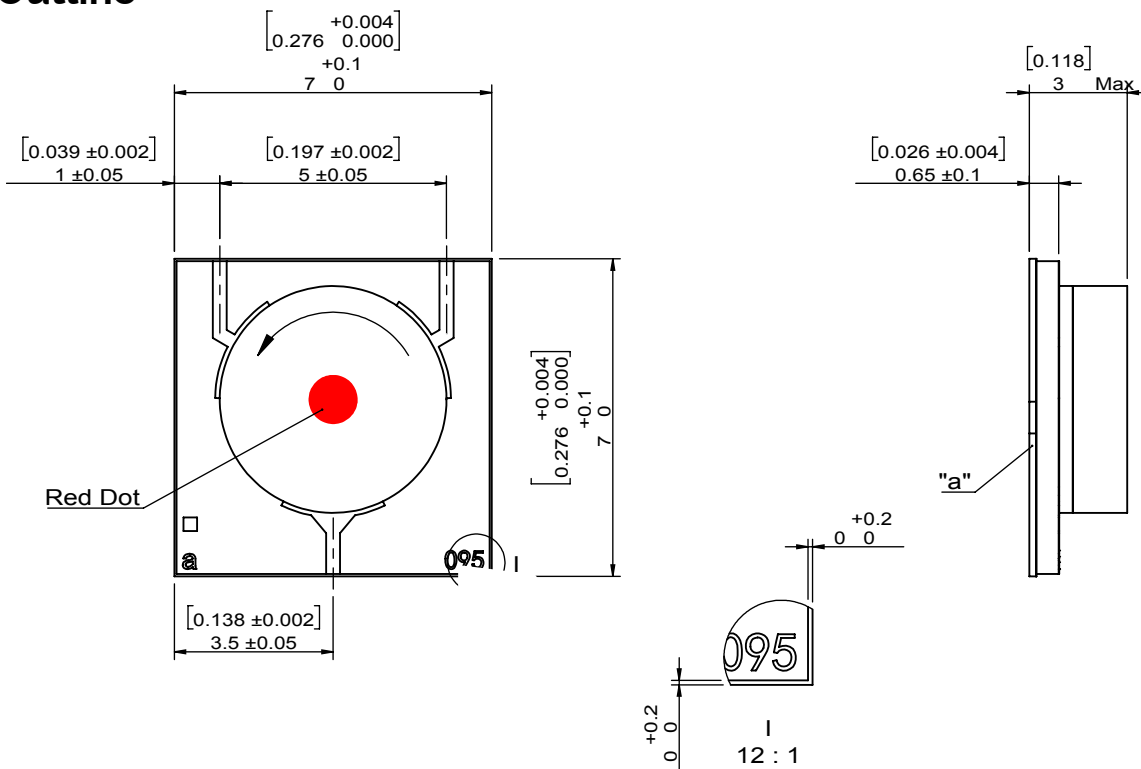


JCSC8500T10K5-7C is a microstrip circulator in the frequency 8.500~10.500 GHz. The device is extremely stable over the temperature range of -40°C to +80°C, with maximum insertion loss of 0.6dB and minimum return loss of 19.0dB. It can handle Power FWD/REV/PK(Watt) of 20/20/50, 20% duty cycle and 100usec

### Electrical Specification

Part Number	JCSC8500T10K5-7C
Frequency (MHz)	8.500~10.500
Insertion Loss(dB)MAX	0.6
Return Loss(dB)MIN	19
Isolation(dB)MIN	18.0
Operating Temperature	-40°C~80°C
Power FWD/REV/PK(Watt)	20/20/50, 20% duty cycle and 100usec

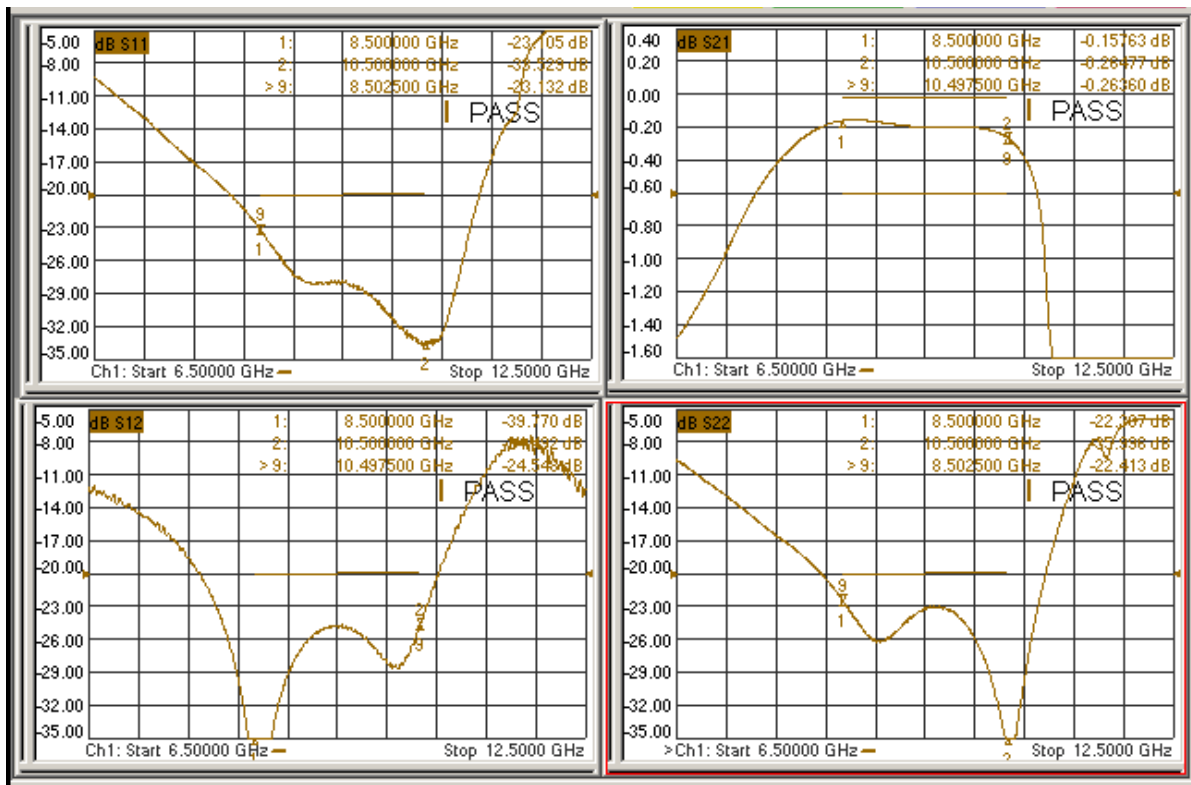
### Outline



# X Band Microstrip Circulator

## JCSC8500T10K5-7C

### Test Data



### Applications

- Radar

JQL TECHNOLOGIES  
TECHNOLOGY ON THE MOVE